

PTZVIP-4-4MP-25X-V3

4MP STARLIGHT IR SMART TRACKING 25X PTZ



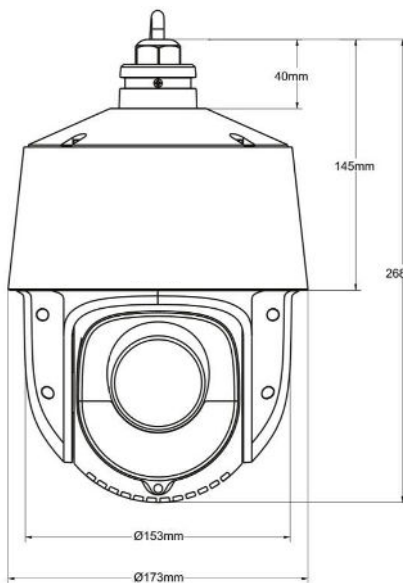
- 4MP (2560 × 1440) H.265 coding
- Max.resolution: 2560 × 1440
- 25x optical zoom
- 3D DNR, 120 dB WDR
- 160m IR distance; DORI
- PoE+, DC12V
- Smart tracking of people/vehicles
- IP66 ingress protection
- 1.5 Tops deep-learning engine
- H.265+/H.265/H.264+/H.264
- Supports mobile surveillance by smart phones with IOS or Android OS

Specification	PTZVIP-4-4MP-25X-V3			
Camera				
Image Sensor	1 / 2.7" progressive scan CMOS, BSI, NIR+			
Min. Illumination	Colour: 0.01 Lux @ [F1.65, AGC ON]; B/W: 0.002 Lux @[F1.65, AGC ON]; 0 Lux with IR			
Image Setting	Flip, Mirror, Saturation, Brightness, Contrast, Sharpness, AGC, adjusted by client software/browser			
White Balance	Auto/Manual/Indoor/Outdoor			
Gain	Auto/Manual			
Day & Night	Auto/Manual, Time, Schedule			
3D DNR	Auto/Manual			
SNR	≥52dB			
AE Enhancement	BLC, HLC, WDR			
Privacy Mask	4 areas			
OSD Overlay	Maximum 15 characters per linem, 8 lines, white or red font			
Lens				
Focus Length	4.8-120mm lens, 25x optical zoom			
Zoom Speed	Approx. 3.6s [optical zoom, wide-tele]			
Field of View	Horizontal: 55° to 2.4°(wide-tele) Vertical: 33° to 1.4°(wide-tele) Diagonal: 61.5° to 2.8°(wide-tele)			
Working Distance	Wide: 1.0m~INF; Tele: 1.5m INF			
Aperture Range	F1.65 ~ F3.8 [wide-tele]			
Iris Type	DC Iris. 16 Stops			
DORI				
Focus Length	Detect [25px/m]	Observe [63px/m]	Recognise [125px/m]	Identify [250px/m]
4.8mm	96m [315ft.]	38m [124.7ft.]	19.2m [63ft.]	9.6m [31.5ft.]
120mm	2200m [7218ft.]	873m [2864.3ft.]	440m [1443.6ft.]	220m [721.8ft.]
PTZ				
Pan Range	360° endless			
Pan Speed	Configurable, from 0.1~200°/s; Preset speed: 240°/s			
Tilt Range	From -10° to 90°			
Tilt Speed	Configurable, from 0.1~ 200°/s, Preset speed: 240°/s			
Proportional Zoom	Yes			
Presets	360			
Cruises	8 cruises, up to 16 presets for each cruises			
Tracks	4 tracks, record time over 3 minutes for each track			
Power-Off Memory	Supported			
Action Mode	Preset/Cruise/Track/Auto Scan/Random Scan			
3D Positioning	Supported			
PTZ Position Display	Supported			
Schedule Task	Preset/Cruise/Track/Random Scan/Boundary Scanning/ Dome Reboot			
IR				
IR Distance	160m			
Smart IR	Yes; supports facial exposure			

PTZVIP-4-4MP-25X-V3



- 4MP (2560 × 1440) H.265 coding
- Max.resolution: 2560 × 1440
- 25x optical zoom
- 3D DNR, 120 dB WDR
- 160m IR distance; DORI
- PoE+, DC12V
- Smart tracking of people/vehicles
- IP66 ingress protection
- 1.5 Tops deep-learning engine
- H.265+/H.265/H.264+/H.264
- Supports mobile surveillance by smart phones with iOS or Android OS



Network	
Max Resolution	2560x1440
Main Stream	50Hz: 25fps (2560x1440, 2048x1536, 1920x1080, 1280x960,1280x720) 60Hz: 30fps (2560x1440, 2048x1536, 1920x1080, 1280x960,1280x720)
Sub Stream	50Hz: 25fps (704 × 576, 640 × 480, 352 × 288) 60Hz: 30fps (704 × 480, 640 × 480, 352 × 240)
Third Stream	50Hz: 25fps (1920 × 1080, 1280 × 960, 1280 × 720, 704 × 576, 640 × 480, 352 × 288) 60Hz: 30fps (1920 × 1080, 1280 × 960, 1280 × 720, 704 × 480, 640 × 480, 352 × 240)
Video Compression	H.265+/H.265/H.264+/H.264/MJPEG
Protocols	HTTP, HTTPS, IPv4/IPv6, 802.1x, QoS, FTP, SMTP, UPnP, SNMP,DNS, DDNS, NTP, RTSP, RTCP, RTP, TCP/IP, UDP, DHCP, PPPoE
Simultaneous Live View	Up to 6 channels
User / Host	Up to 16 users, 3 levels: Administrator, Advanced User and Normal User
Security Measures	User authentication (ID and PW), Host authentication (MAC address); HTTPS encryption, IEEE802.1x port-based network access control; IP address filtering
Smart Features	
Basic Events	Motion detection, video tampering alarm, Exception[Network disconnected, IP address conflict, SD full, SD error]
Facial Recognition	Off by default; max 15 faces at one scene; detecion, tracking and capturing
Road Traffic	Vehicle detecion and tracking
Smart Tracking	Smart tracking of human or vehicle, auto/manua
Smart Detection	Tripwire, Bi-directional tripwire, Illegal intrusion detection, Region entrance detection, Region exiting detection
System Integration	
Alarm Interface	1 alarm input (dry contact); 1 alarm output
Audio Interface	1 audio input(MIC in); 1 audio output, line level, impedance, 600Ω
Alarm Linkage	Alarm actions, such as Preset, Cruise, Track, Memory Card Video Record, Trigger Recording, Upload to FTP/Memory Card, Send Email, etc.
Network Interface	1 RJ45 10M/100M Adaptive Ethernet; PoE+
SD Card	One Micro SD slot, up to 256G
Reset Button	Yes
Heater	Yes
Fan	Yes
Water Removal	Quick spinning and hot air to remove water and frost
API	ONVIF
Web Browser	IE8-11
General	
Power	DC12V±25%,3000mA ,PoE+ (802.3.at), max 23W included IR ON & PTZ working
Working Conditions	-40°C ~ 60°C [-40°F ~ 140°F], 90%RH less (non-condensing), Cold start at - 30°C
Storage Conditions	-40°C ~ 70°C ; ≤ 95% RH
Protection	IP66, 6000V lightning protection, surge protection and voltage transient protection
Material	Aluminum alloy & plastic
Dimensions	Φ173mm × 268mm (6.8" Φ × 10.55")
Weight	Approx. 2.1KG
Certification	IP66, IK10 (excluding glass window), RoHS, CE, FC