



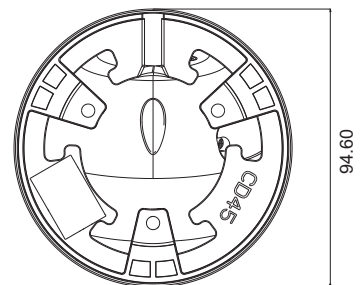
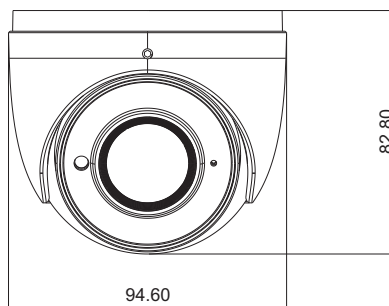
QVIS® | 2MP IR WATER-PROOF DOME CAMERA

FEATURES:

- 2MP (1920 x 1080) H.265 coding
- Max.resolution: 1920 x 1080
- ICR auto switch, true day / night, ROI coding
- 3D DNR, digital WDR, HLC, BLC, Defog
- 20~30m IR night view distance
- Support smart phone, iPad, remote monitoring
- DC12V/PoE power supply
- IP 67 ingress protection
- Support dual streams
- Smart analytics (optional): abnormal video signal detection, line crossing detection and region intrusion detection

| SPECIFICATION | TURVIP-2-FG / TURVIP-2-FW |
|----------------------------|--|
| CAMERA | |
| Image Sensor | 1 / 2.9" CMOS |
| Image Size | 1920 × 1080 |
| Electronic Shutter | 1 / 25 s ~ 1 / 100000 s |
| Iris Type | Fixed Iris |
| Min. Illumination | 0.03 lux@F2.5, AGC ON; 0 lux with IR 0.007 lux@F1.2, AGC ON; 0 lux with IR |
| Lens | 2.8 mm @F2.0, horizontal field of view: 108.2° |
| Lens Mount | M12 |
| Wide Dynamic Range | Digital WDR |
| BLC | Yes |
| HLC | Yes |
| Digital NR | 3D DNR |
| Angle Adjustment | Pan: 0°~360°; Tilt:0°~75°; Rotation: 0°~360° |
| IMAGE | |
| Video Compression | H.265 / H.264 / MJPEG |
| H.265 Compression Standard | Main Profile@Leve 4.1 High Tier |
| Resolution | 1080P (1920 × 1080), 720P (1280 × 720), D1, CIF, 480 × 240 |
| Main Stream | 60Hz : 1080P(1 ~ 30fps) / 720P(1 ~ 30fps) 50Hz : 1080P(1 ~ 25fps) / 720P(1 ~ 25fps) |
| Sub Stream | 60Hz : D1/CIF/480x240 (1~30fps); 50HZ: D1/ CIF/480x240 (1~25fps) |
| Bit Rate | 256 Kbps ~ 4Mbps |
| Bit Rate Type | VBR / CBR |
| Audio Compression | G711A / U |
| Image Settings | ROI, Saturation, Brightness, Chroma, Contrast, Wide Dynamic, Defog, Sharpen, NR,etc. adjustable through client software or web browser |
| ROI | Each ROI to be configured separately |

DIAGRAM:





QVIS® | 2MP IR WATER-PROOF DOME CAMERA

FEATURES:

- 2MP (1920 x 1080) H.265 coding
- Max.resolution: 1920 x 1080
- ICR auto switch, true day / night, ROI coding
- 3D DNR, digital WDR, HLC, BLC, Defog
- 20~30m IR night view distance
- Support smart phone, iPad, remote monitoring
- DC12V/PoE power supply
- IP 67 ingress protection
- Support dual streams
- Smart analytics (optional): abnormal video signal detection, line crossing detection and region intrusion detection

| SPECIFICATION cont. | TURVIP-2-FG / TURVIP-2-FW |
|-----------------------|---|
| INTERFACES | |
| Network | RJ45 |
| FUNCTIONS | |
| Remote Monitoring | Web browsing, CMS remote control |
| Online Connection | Support simultaneous monitoring for up to 4 users; Support multi-stream real time transmission |
| Network Protocol | UDP, IPv4, IPv6, DHCP, NTP, RTSP, PPPoE, DDNS, SMTP, 802.1x, UPnP, HTTPs, QoS |
| Interface Protocol | ONVIF, GB-T/28181-2011 |
| Storage | Network remote storage |
| Smart Alarm | Motion detection |
| Intelligent Analytics | Abnormal video signal detection, line crossing detection and region intrusion detection optional |
| General function | Watermark, IP address filtering, video mask, heartbeat, password protection |
| PoE | Yes |
| IR Distance | 20 ~ 30 m |
| Ingress Protection | IP67 |
| OTHERS | |
| Power Supply | DC12V/PoE |
| Power Consumption | < 5W |
| Operating Environment | - 30 °C ~ 60 (-22 °C °F~140°F) Humidity: less than 95% (non-condensing) |
| Dimensions (mm) | Φ 94.6 × 82.8 |
| Weight (net) | Approx. 0.46KG |
| Installation | Ceiling mounting (Wall mounting available with the junction box and bracket) |